



National Power Corporation

SUPPLEMENTAL / BID BULLETIN NO. 2022-GOODS-065

to the Bidding Documents for the:

SUPPLY AND DELIVERY OF OIL PUMP TRANSFORMER, AG1

MA-A2H22-041/ PB-2022-013, ITEM NO 7)

(Published on July 21, 2022, PhilGEPS)

All prospective bidders are hereby informed of the changes in some provisions of the tender documents as follows:

Clarification:

- 1. Section VII. Technical Specifications**
Conformity with the Technical Specifications - 3
Item 1. Oil Pump Transformer

Flange-to-Flange is in-line, please see attached Drawings/Design for the dimensions and specifications.

Notes:

- 1. All other terms published in the previous publication that are not amended by this publication shall remain the same.*
- 2. For further clarification, you may contact us at (063)223-4604.*

For the information and guidance of all concerned.


REYNANTE T. CIRUELA
Chairman, Bids and Awards Committee
Mindanao Generation

Date of Publication: August 02, 2022

NPC-009.F17
Rev No. 1
Page 1 of 1

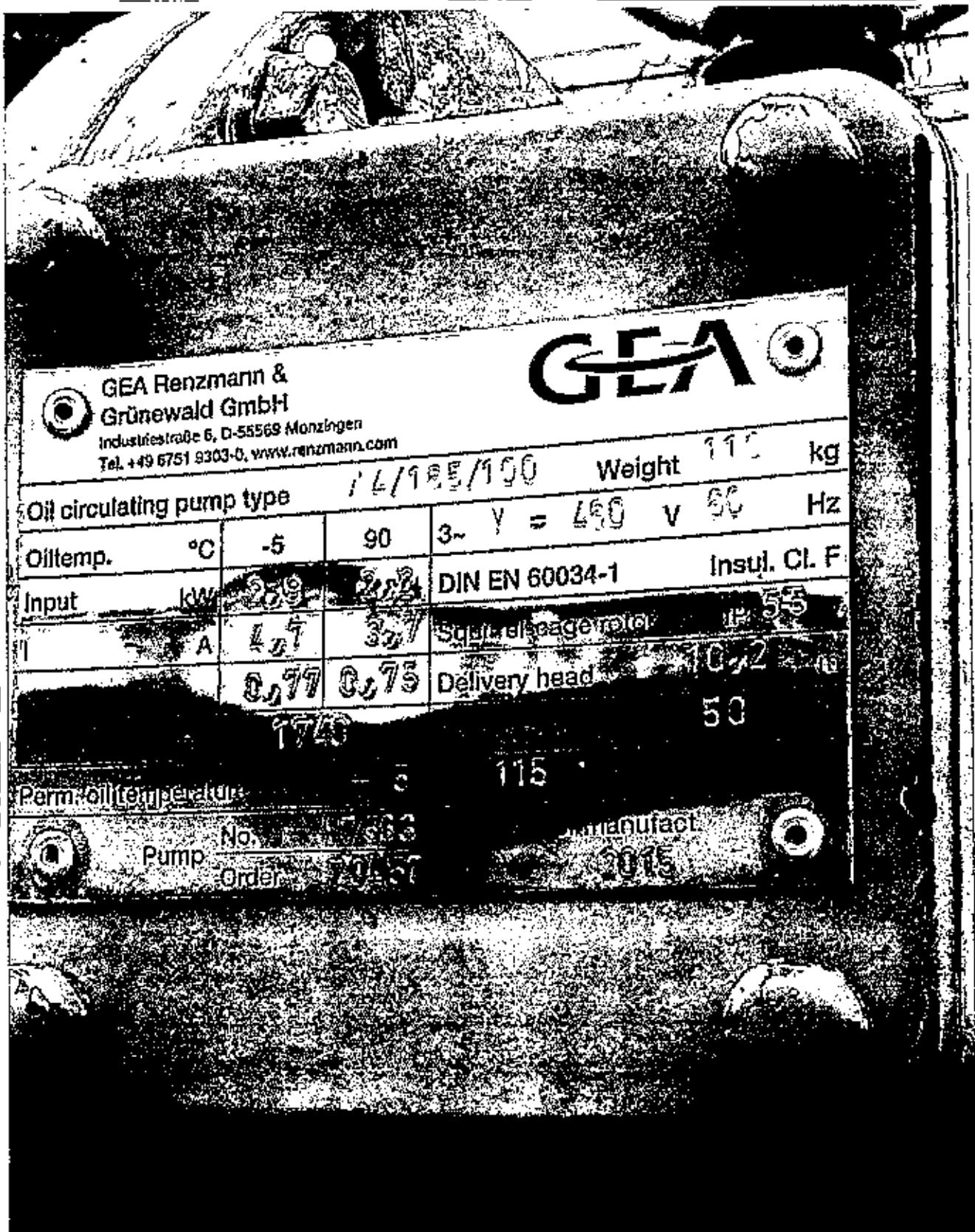
BIR Road cor. Quezon Avenue, Diliman
Quezon City 1100, Philippines
Tel. Nos. (632) 921-3541 to 80
Fax No. (632) 921-2468
Website: www.napocor.gov.ph



Management
System
ISO 9001:2015

www.tuv.com
ID: 410856265





GEA Renzmann & Grünewald GmbH
 Industriestraße 6, D-55569 Monzingen
 Tel. +49 6751 9303-0, www.renzmann.com

GEA

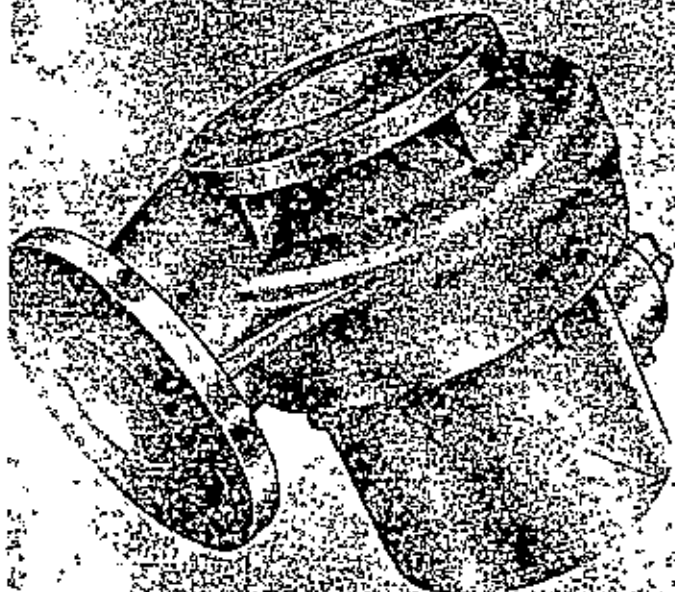
Oil circulating pump type		1 L/1985/100		Weight	110	kg
Oiltemp.	°C	-5	90	3~ Y = 450 V	50	Hz
Input	kW	259	212	DIN EN 60034-1	Insul. Cl. F	
	A	4.7	3.7	Squirrel cage motor	IP 55	
		0.77	0.75	Delivery head	10.2	
		17.5			50	
Perm. oil temperature		-5	115			
Pump No.		17366		Manufact		
Order		20457		2015		

MONOBLOCK CENTRIFUGAL PUMPS

"SO" LINE

DESIGNED EXCLUSIVELY
FOR

TRANSFORMER OIL CIRCULATING SERVICE



Safety of operation.

Construction:
Compact Glandless. Direct
pipe mounting. No special
supports required.

Applications: Outdoor ser-
vice. Universal mounting.

Industrial-Heavy duty design.
No periodic maintenance or
lubrication required.

PERFORMANCES: capacity: up to 1600 IGPM (7200 l/h)
head: up to 200 Ft (60 m)
working temperature: from - 50 °C to 210 °C

GUARANTEE: 2 years

50 years of experience in transformers oil circulating pumps

CCAI PUMPS DIVISION VIA DECEMBRIO, 31 - 20137 MILANO ITALY
TEL: 576494 - 5469745 - TELEX: 321497 API I - sub. 1303

STANDARD CONSTRUCTION

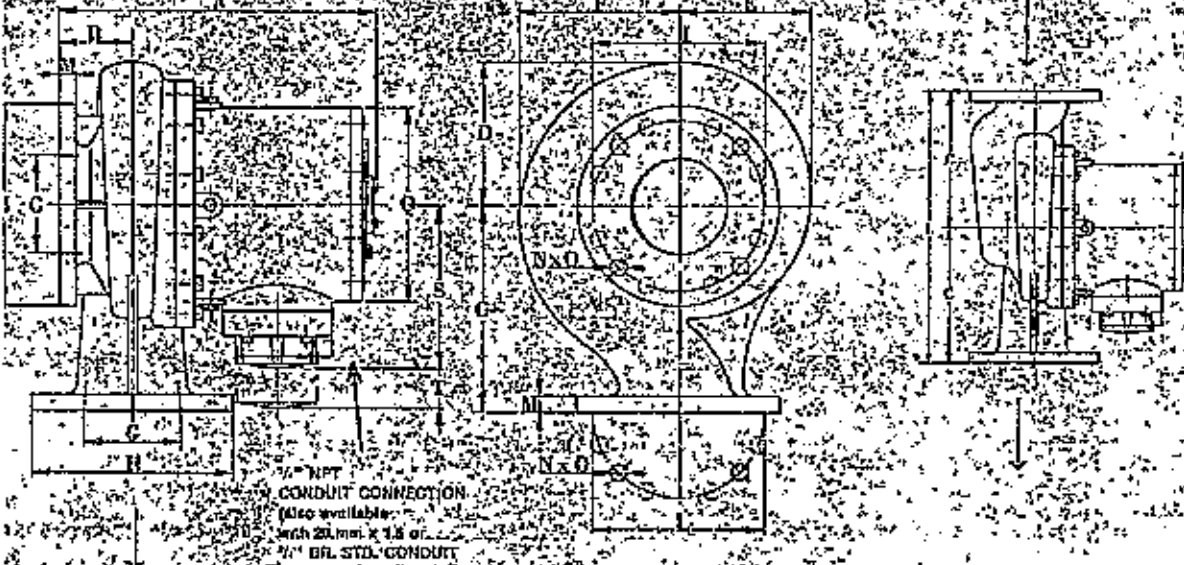
FLANGES ARE 150LBS ASA FF

AND DIMENSIONS

(DIN and BRITISH STANDARD FLANGES also available)

END SUCTION 90° DISCHARGE PUMPS

IN-LINE PUMPS

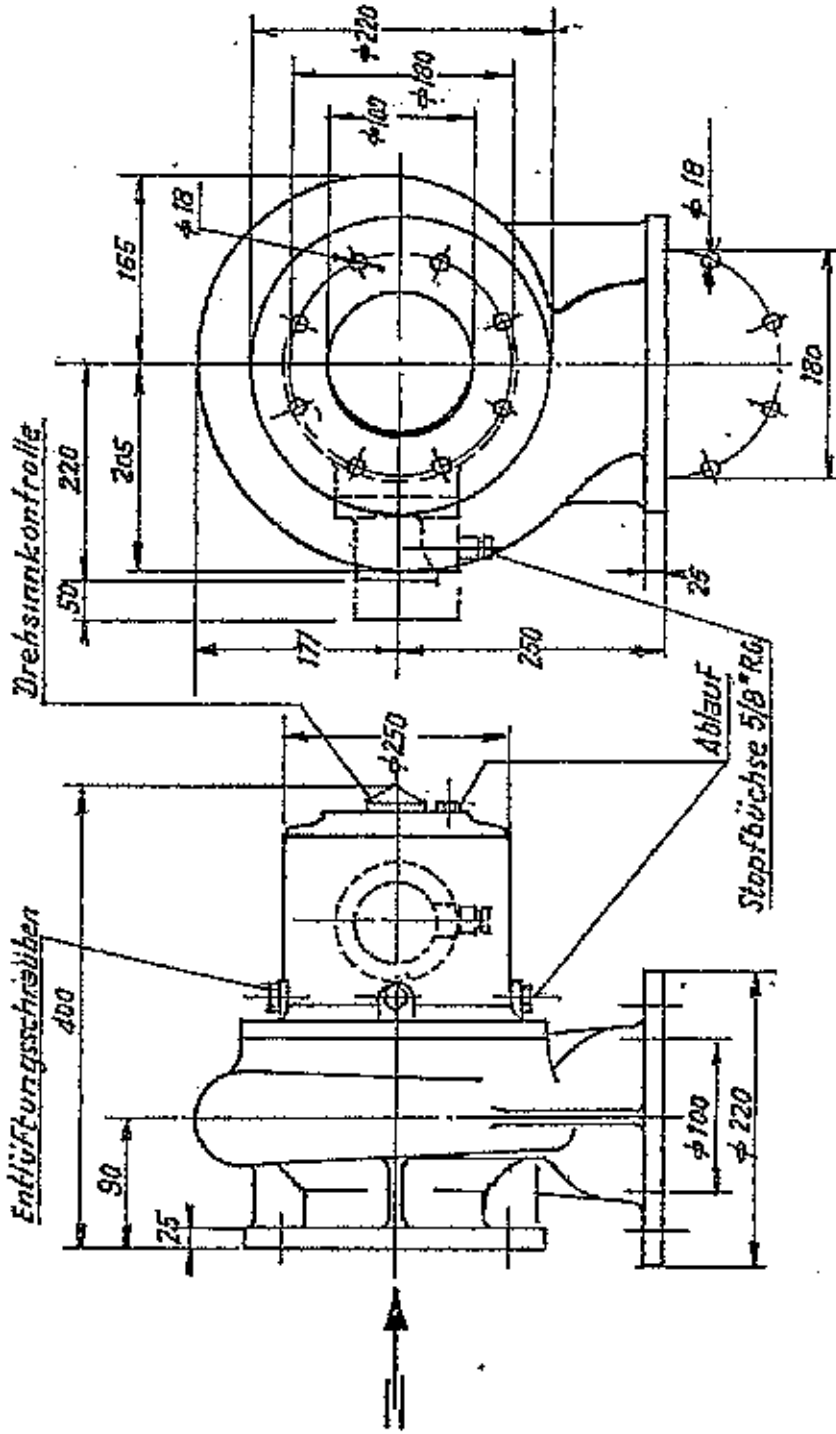


The unit is supported by the piping without support brackets. Winding cooling and ball bearing lubrication is provided by circulation of the transformer oil.

Standard construction is 4 pole design and 3 phase supply. Single phase is also available. Pumps are also available with 2 pole motors and special impellers on request.

DIMENSIONS: TABULATED in BOTH INCHES and MM.

PUMP SIZE	FLANGES (ASA)						PUMPS DIMENSION										WT KG
	G	H	I	M	N	O	A	B	C	D	E	F	L	Q	S	T	
SO 40	1 1/2 40	6 127	3 3/8 88.5	1 1/2 17.5	4 4	3 1/8 18	12 3/8 323	3 3/8 90	5 1/2 140	3 3/8 100	4 3/8 112	4 1/2 104	11 280	5 3/8 135	5 3/8 142	2 50	32
SO 50	2 50	6 1/2 152.5	4 3/8 120.5	3/4 19	4 4	3 1/8 18	13 3/8 340	3 3/8 90	6 3/8 175	4 3/8 120	4 9/8 118 1/2	5 1/8 129	13 3/8 350	6 3/8 160	6 3/8 153	2 50	45
SO 65	2 1/2 65	7 178	6 1/2 160	7/8 22	4 4	3 3/8 19	14 1/2 368	3 3/8 95	7 3/8 180	3 5/8 100	3 3/8 90	4 3/8 110	14 3/8 360	6 3/8 245	7 3/8 185	2 50	50
SO 65 H	2 1/2 65	7 178	6 1/2 160	7/8 22	4 4	3 3/8 19	15 3/8 396	3 3/8 95	7 3/8 180	5 3/8 135	6 128	5 3/8 132	14 3/8 360	6 3/8 245	6 3/8 170	2 50	65
SO 80	3 80	7 1/2 190.5	6 152.5	1 1/8 24	4 4	3 3/8 18	15 380	3 3/8 90	8 1/8 210	5 1/2 140	5 1/2 130	5 1/2 140	16 3/8 420	6 3/8 245	7 1/2 190	2 50	70
SO 80 H	3 80	7 1/2 190.5	6 152.5	1 1/8 24	4 4	3 3/8 19	16 3/8 420	3 3/8 90	8 3/8 210	6 1/2 165	5 1/2 140	6 3/8 170	16 3/8 420	6 3/8 245	8 3/8 220	2 50	90
SO 100	4 100	9 228	7 1/2 190.5	1 1/8 24	8 8	3 1/2 19	17 1/2 440	3 3/8 100	9 1/8 245	7 177	5 7/8 145	6 3/8 170	18 3/8 492	6 3/8 250	8 3/8 220	2 50	95
SO 100 H	4 100	9 228	7 1/2 190.5	1 1/8 24	8 8	3 1/2 19	17 3/8 440	3 3/8 100	9 1/8 245	7 177	5 7/8 145	6 3/8 170	19 3/8 492	6 3/8 250	8 3/8 220	2 50	95
SO 125	5 125	10 250	8 1/2 216	1 1/8 24	8 8	3 1/2 22	18 3/8 474	3 3/8 90	10 3/8 270	7 1/8 187	6 3/8 170	6 3/8 210	21 1/8 540	6 3/8 250	8 3/8 230	2 50	118
SO 125 H	5 125	10 250	8 1/2 216	1 1/8 24	8 8	3 1/2 22	18 3/8 474	3 3/8 90	10 3/8 270	7 3/8 187	6 3/8 170	8 3/8 210	21 1/8 540	6 3/8 250	8 3/8 230	2 50	125
SO 150	6 150	11 280	9 1/2 241	1 1/8 25	8 8	3 1/2 22	20 3/8 530	3 3/8 150	12 3/8 310	8 1/8 205	6 3/8 175	6 3/8 230	24 1/8 620	10 3/8 260	8 3/8 220	2 50	160
SO 150 H	6 150	11 280	9 1/2 241	1 1/8 25	8 8	3 1/2 22	21 3/8 550	3 3/8 150	12 3/8 310	8 3/8 205	6 3/8 175	6 3/8 230	24 1/8 620	11 3/8 287	12 305	2 50	165
SO 175 H	7 176	12 1/2 315	11 1/4 298.5	1 1/8 25	8 8	3 1/2 22	23 3/8 605	3 3/8 150	13 3/8 310	8 3/8 215	7 3/8 195	6 3/8 245	24 1/8 620	11 3/8 287	12 305	2 50	200



Disposition für klemmschutzdeckel s. N° 5521

Disegn. C...

Date...

FILITON OLIUMBE TUN CH 1001

SPAI

N° 5552 /D